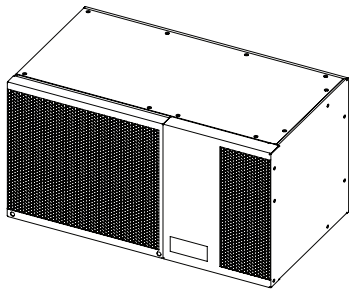


TO BE USED WITH THE
SPLIT SYSTEM OWNERS MANUAL

Required Tools

- Drill
- 5/32" Drill Bit
- 1/4" Socket Drill Bit
- 1/4" Wrench
- Phillips Screwdriver
- Tape Measure
- Brazing Torch
- Drywall Saw
- Ladder
- Level
- Pliers
- Pencil

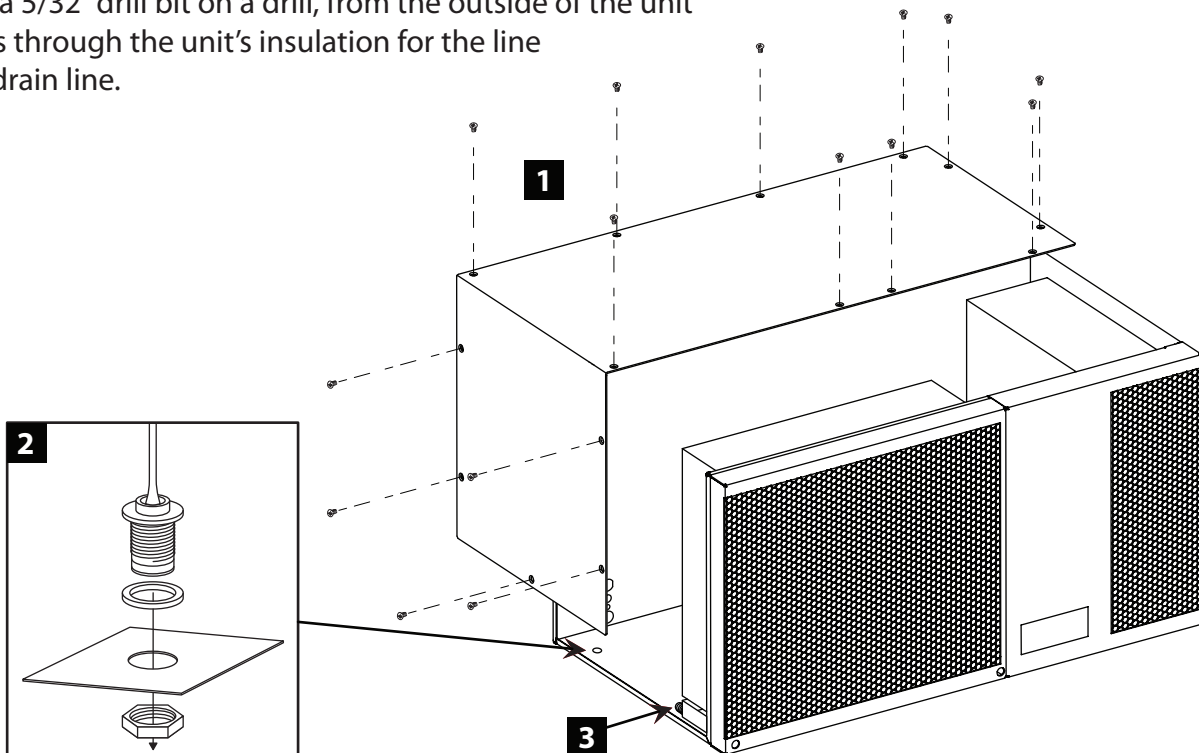
PACKAGE CONTENTS



- (1) Mini-Split Evaporator Unit
- (1) 12 Foot Bottle Probe
- (4) 2" #8 Hex Head Screws
- (1) 10 FT. 3/8" Drain Line
- (1) 1/4" Sight Glass
- (1) 1/4" Filter Drier
- (1) 10" Piece of Cork Tape
- (1) Split System Owner's Manual
- (1) Unit Specific Installation Guide
- (1) Evaporator Mounting Template
- (1) Warranty Registration Card

EVAPORATOR PREPARATION

1. Remove the access panel.
2. Install bottle probe connector.
3. Install 3/8" drain line on drain pan.
4. Depending on your desired installation, remove the rear or bottom knockouts for the line set and drain line.
5. Using a 5/32" drill bit on a drill, from the outside of the unit cut through the unit's insulation for the line set and drain line.

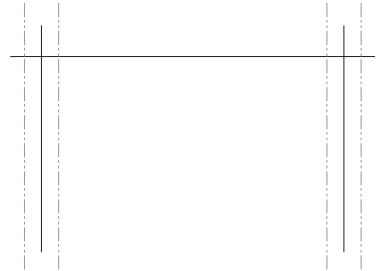


INSTALLING THE EVAPORATOR

Note: The evaporator is designed to be mounted on two standard 16" spaced wall studs.

1. Locate two desired wall studs. Mark center lines for the studs vertically on the wall (16 inches apart) followed by a level horizontal line at your desired height.

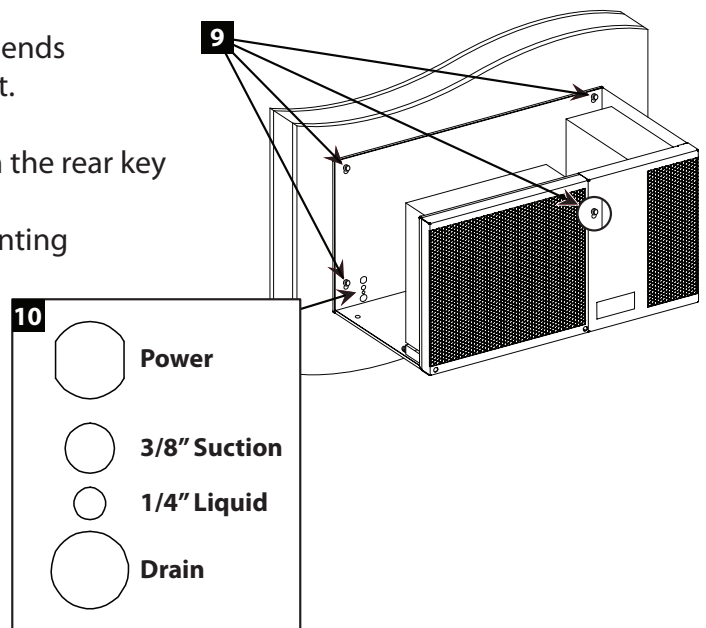
Note: The top of the unit needs to be installed at a minimum of 6 inches from the ceiling and no further than 18 inches from the ceiling.



2. Place the installation template on the wall lining up the vertical lines through the sight slots.
3. Mark through the indicated Mounting Screw holes and location for the Access Hole.
4. Set Installation Template aside.
5. Install the supplied four 2" #8 Hex Head Screws into the marked mounting screw locations leaving 1/6" between the wall surface and screw head.
6. Cut out the Access Hole using a drywall saw or desired method. Be sure to clear all debris and insulation.
7. The wall is now ready for installation. Place the prepared unit below the install location.

Note: During installation WhisperKOOL recommends elevating the unit close to the install height.

8. Raise the evaporator to the installation location. Align the rear key holes with the mounting screws and mount the unit.
9. Using a 1/4" wrench or socket tighten accessible mounting screws inside of the unit.
10. Route the 3/8" suction line and 1/4" liquid line into the unit and braise.



Note: Angle the flame up and away from any electrical and insulation while brazing inside of the unit.

11. Insulate the 3/8" suction line with the 10" piece of supplied cork tape.
12. Route power supply wires into the unit through the power knockout and install the supplied strain relief.
13. Connect power supply wires to the pre-installed butt splice connectors located inside of the unit (Hot=Black, Neutral=White, Ground= Green).
14. Route drain line out of the unit to desired location.
15. Connect the Bottle Probe.
16. Reinstall the access panel removed in step 1 of Evaporator Preparation.
17. Plug in the evaporator and condensing unit.
18. Follow standard refrigeration system charging processes. WhisperKOOL recommends pressurizing the system using dry nitrogen, then allow unit to hold pressure for 30 minutes prior to charging.
19. Once the system is charged, adjust the Thermal Expansion Valve to maintain 8-12°F superheat if necessary.

Please refer to the Split System Owners Manual for condensing unit wiring diagrams and general split system information.